

# Normfinish **Mistral-series**



MI04



MP04

## NORMFINISH MISTRAL-SERIES BLAST CABINETS

- **Rapid and efficient blasting**
- **Blasting process free of interruption**
- **Permanent visibility due to optimal circulation of air and dust filtering**
- **Solid construction**
- Comfortable arm holes
- Good dust sealing
- Large viewing window
- Loading via large doors
- Adjustable blast pressure
- Filtercartridge

## THE MISTRAL-SERIES

The Normfinish mistral-series is the economy series, based on the basic Normfinish technology: Blast cabinets developed and produced in the Netherlands. This guarantees for solid quality and a good finishing level. This series is available with injector blast principle and pressure blast principle. Available directly from stock and at an attractive price.



# MI04

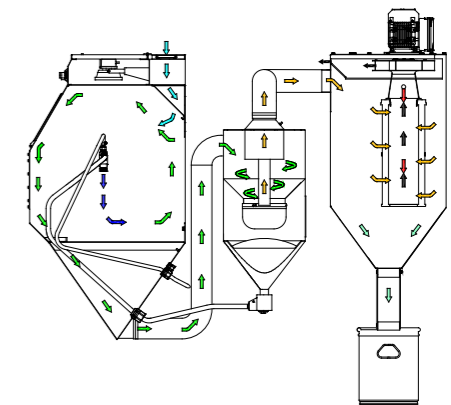
## INJECTOR BLAST CABINET

<b>Blast chamber (W x D x H)</b>	1.105 x 795 x 875 mm
<b>Overall dimensions ( W x D x H) <sup>1</sup></b>	1.225 x 1.340 x 2.095 mm
<b>Working height</b>	825 mm
<b>Illumination</b>	20 Watt LED
<b>Weight</b>	360 kg
<b>Door opening (2 pcs.)</b>	695 x 745 mm
<b>Maximum load</b>	350 kg
<b>Filter cartridge</b>	1 x 21 m <sup>2</sup>
<b>Power supply</b>	230V/50Hz/0,85 kW
<b>Air consumption <sup>2</sup></b>	600 - 1000 L/min at 6 bar
<b>Cyclone</b>	yes
<b>Fixed turntable ø 600 max. 350 kg</b>	option
<b>Conveyor system</b>	option
<b>Door tunnel</b>	option

1) Motor included 2) Depending on diameter air injector



▼ Injector blast principle





# MP04

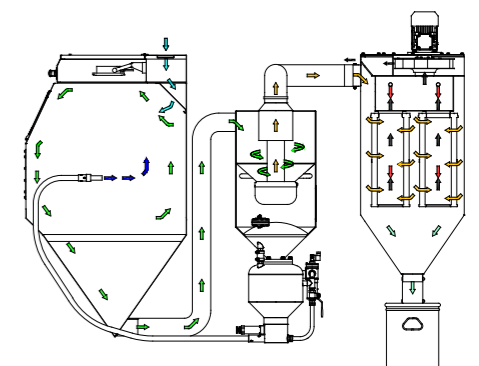
## PRESSURE BLAST CABINET

<b>Blast chamber (W x D x H)</b>	1.105 x 795 x 875 mm
<b>Overall dimensions ( W x D x H) <sup>1</sup></b>	1.225 x 1.340 x 2.095 mm
<b>Working height</b>	825 mm
<b>Illumination</b>	20 Watt LED
<b>Weight</b>	380 kg
<b>Door opening (2 pcs.)</b>	695 x 745 mm
<b>Maximum load</b>	350 kg
<b>Filter cartridge</b>	1 x 21 m <sup>2</sup>
<b>Power supply</b>	230V/50Hz/0,85 kW
<b>Air consumption <sup>2</sup></b>	3000 L / min at 4 bar
<b>Fixed turntable ø 600 mm max. 350 kg</b>	option
<b>Conveyor system</b>	option
<b>Door tunnel</b>	option

1) Motor included 2) Depending on diameter air nozzle



▼ Pressure blast principle



The Normfinish® brand has been a renowned name in the world of blasting and surface technology for decades. The industrial blasting equipment of Normfinish finds its way to companies all over the world. Blast cabinets of solid quality, reliable and durable. Designed to make your production process more efficient. Based on the many years of expertise of Leering Hengelo, which, with its own engineering department, continuously develops and responds to new developments.

---

## SERVICE

In addition to producing new machinery and equipment, Leering Hengelo also places great importance on professional aftercare and service. With this in mind, we have our own service department with skilled technicians. They are not only experts when it comes to our own equipment, but also have all the specialist knowledge to service similar machines from other manufacturers.

Apart from blast cabinets we also supply and build blastrooms. We also are supplier for high quality [abrasives](#).

**NORMFINISH®**  
SURFACE TREATMENT



---

## CONTACT

Leering Hengelo  
T +31 74 255 82 82  
info@normfinish.com

### Visiting Address

Barnsteenstraat 1  
7554 TC Hengelo (OV)  
The Netherlands